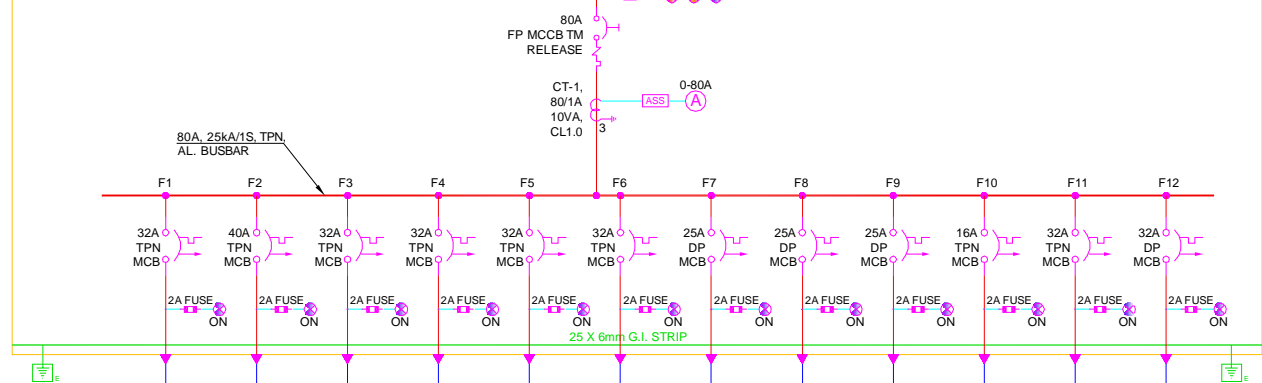


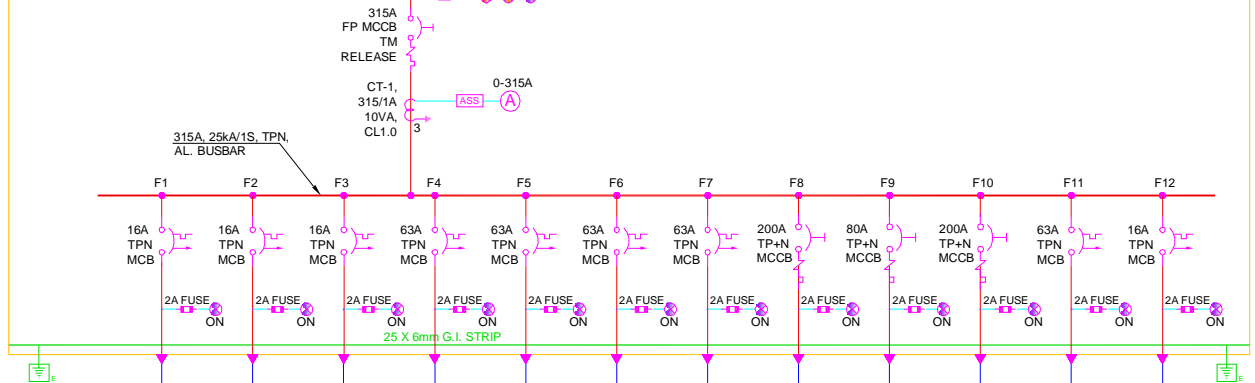
THIS DRAWING IS THE PROPERTY OF JP TECHNOLOGIES. REPRODUCTION, DISCLOSURE AND / OR USE IN WHOLE OR PART WITHOUT THE WRITTEN PERMISSION IS PROHIBITED. RETURN TO P.E. WHEN REQUESTED OF NO LONGER NEEDED.

NAME	BLOCK-3 LIGHTING PANEL
LOCATION	ELECTRICAL ROOM
CONNECTED LOAD	59.6 KW
MAX. DEMAND	35.7 KW @ 0.6 DIVERSITY



LOAD NAME	WING-3 GF LDB	WING-2 GF LDB	WING-1 GF LDB	FIRST FLOOR WING-3 LDB	SECOND FLOOR WING-3 LDB	THIRD FLOOR WING-3 LDB	PASSAGE AREA DB	STAIRCASE AREA DB	FAÇADE DB	SPARE	SPARE	SPARE
OUTGOING CABLE SIZE	1No. 4C x 4mm ² , 1.1kV LTXLPE, CU., ARMoured CABLE	1No. 4C x 4mm ² , 1.1kV LTXLPE, CU., ARMoured CABLE	1No. 4C x 16mm ² , 1.1kV LTXLPE, AL., ARMoured CABLE	1No. 4C x 4mm ² , 1.1kV LTXLPE, CU., ARMoured CABLE	1No. 4C x 4mm ² , 1.1kV LTXLPE, CU., ARMoured CABLE	1No. 4C x 4mm ² , 1.1kV LTXLPE, CU., ARMoured CABLE	1No. 3C x 4mm ² , 1.1kV LTXLPE, CU., ARMoured CABLE	1No. 3C x 4mm ² , 1.1kV LTXLPE, CU., ARMoured CABLE	1No. 3C x 4mm ² , 1.1kV LTXLPE, CU., ARMoured CABLE	SPARE	SPARE	SPARE
LOAD	8kW	13.6kW	9kW	8kW	8kW	8kW	3kW	1kW	1kW			

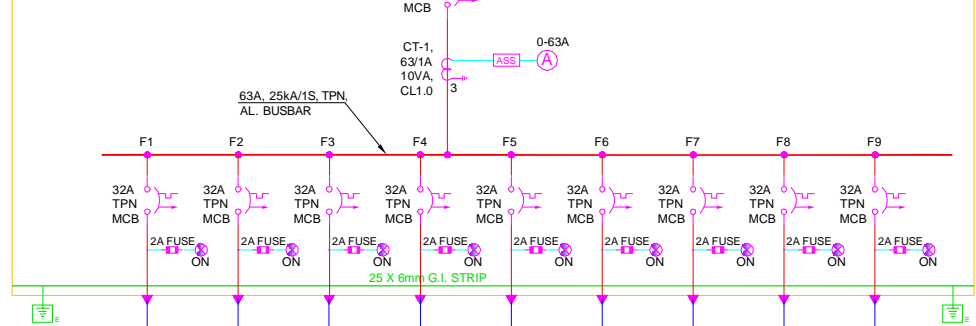
NAME	BLOCK-3 POWER PANEL
LOCATION	ELECTRICAL ROOM
CONNECTED LOAD	236 KW
MAX. DEMAND	118 KW @ 0.5 DIVERSITY



LOAD NAME	GF-WING-3 HVAC DB	GF-WING-2 HVAC DB	GF-WING-1 HVAC DB	WING-1 KITCHEN POWER DB	FIRST FLOOR POWER PANEL	SECOND FLOOR POWER PANEL	THIRD FLOOR POWER PANEL	ODU AT TERRACE	VENTILATION	SPARE	SPARE	SPARE
OUTGOING CABLE SIZE	1No. 4C x 2.5mm ² , 1.1kV LTXLPE, CU., ARMoured CABLE	1No. 4C x 2.5mm ² , 1.1kV LTXLPE, CU., ARMoured CABLE	1No. 4C x 2.5mm ² , 1.1kV LTXLPE, CU., ARMoured CABLE	1No. 4C x 4mm ² , 1.1kV LTXLPE, CU., ARMoured CABLE	1No. 4C x 16mm ² , 1.1kV LTXLPE, AL., ARMoured CABLE	1No. 4C x 16mm ² , 1.1kV LTXLPE, AL., ARMoured CABLE	1No. 4C x 16mm ² , 1.1kV LTXLPE, AL., ARMoured CABLE	1 No. 3.5Cx95 mm ² AL LTXLPE ARMoured CABLE	1 No. 3.5Cx35 mm ² AL LTXLPE ARMoured CABLE	SPARE	SPARE	SPARE
LOAD	2.86 KW	0.99 KW	2.0 KW	6.25 KW	35.8 KW	36.5 KW	36.5 KW	LOAD @ 100 KW	LOAD @ 15 KW			

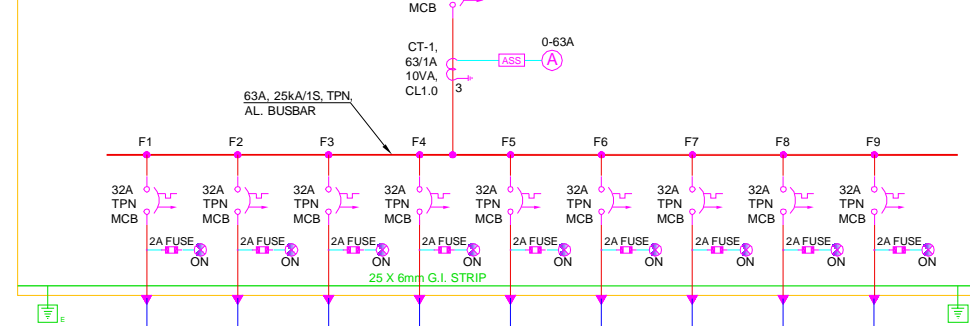
SYMBOLS	
	TRANSFORMER
	DIESEL GENERATOR SET
	CURRENT TRANSFORMER
	POTENTIAL TRANSFORMER
	CONTACTOR
	FUSE
	CAPACITOR BANK
	MOTORIZED VCB
	VACUUM CIRCUIT BREAKER
	LOCAL REMOTE SWITCH
	MCB
	MCB (ROHS WITH PAD LOCK FACILITY)
	ACB - MOTORIZED
	R-Y-B INDICATING LAMP
	INDICATING LAMP : B-BLUE SPRING CHARGED G-GREEN OFF W-WHITE CONTROL SUPPLY HEALTH R-RED ON A-AMBER TRIP
METERS	
	ENERGY METER
	VOLTMETER SELECTOR SWITCH
	VOLTMETER
	AMMETER
	MULTI FUNCTION METER
	AMPERE SELECTOR SWITCH

NAME	FIRST FLOOR POWER PANEL
LOCATION	ELECTRICAL ROOM
CONNECTED LOAD	35.8 KW
MAX. DEMAND	14.32 KW @ 0.4 DIVERSITY



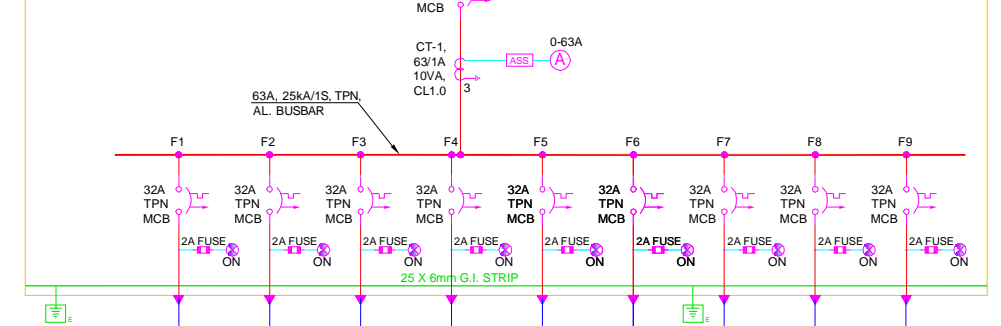
LOAD NAME	ROOM NO. 1001	ROOM NO. 1002	ROOM NO. 1003	ROOM NO. 1004	ROOM NO. 1005	ROOM NO. 1006	WING-3 GYSER PDB	SPARE	SPARE
OUTGOING CABLE SIZE	1No. 4C x 2.5mm ² , 1.1kV LTXLPE, CU., ARMoured CABLE	1No. 4C x 2.5mm ² , 1.1kV LTXLPE, CU., ARMoured CABLE	1No. 4C x 2.5mm ² , 1.1kV LTXLPE, CU., ARMoured CABLE	1No. 4C x 2.5mm ² , 1.1kV LTXLPE, CU., ARMoured CABLE	1No. 4C x 2.5mm ² , 1.1kV LTXLPE, CU., ARMoured CABLE	1No. 4C x 4mm ² , 1.1kV LTXLPE, CU., ARMoured CABLE	1No. 4C x 10mm ² , 1.1kV LTXLPE, AL., ARMoured CABLE	SPARE	SPARE
LOAD	3.5 KW	3.5 KW	3.5 KW	3.5 KW	3.5 KW	6.30 KW	12 KW		

NAME	SECOND FLOOR POWER PANEL
LOCATION	ELECTRICAL ROOM
CONNECTED LOAD	36.5 KW
MAX. DEMAND	14.6 KW @ 0.4 DIVERSITY



LOAD NAME	ROOM NO. 1101	ROOM NO. 1102	ROOM NO. 1103	ROOM NO. 1104	ROOM NO. 1105	ROOM NO. 1106	WING-3 GYSER PDB	SPARE	SPARE
OUTGOING CABLE SIZE	1No. 4C x 2.5mm ² , 1.1kV LTXLPE, CU., ARMoured CABLE	1No. 4C x 2.5mm ² , 1.1kV LTXLPE, CU., ARMoured CABLE	1No. 4C x 2.5mm ² , 1.1kV LTXLPE, CU., ARMoured CABLE	1No. 4C x 2.5mm ² , 1.1kV LTXLPE, CU., ARMoured CABLE	1No. 4C x 2.5mm ² , 1.1kV LTXLPE, CU., ARMoured CABLE	1No. 4C x 4mm ² , 1.1kV LTXLPE, CU., ARMoured CABLE	1No. 4C x 10mm ² , 1.1kV LTXLPE, AL., ARMoured CABLE	SPARE	SPARE
LOAD	3.5 KW	3.5 KW	3.5 KW	3.5 KW	3.5 KW	7.0 KW	12 KW		

NAME	THIRD FLOOR POWER PANEL
LOCATION	ELECTRICAL ROOM
CONNECTED LOAD	36.5 KW
MAX. DEMAND	14.6 KW @ 0.4 DIVERSITY




LOAD NAME	ROOM NO. 1201	ROOM NO. 1202	ROOM NO. 1203	ROOM NO. 1204	ROOM NO. 1205	ROOM NO. 1206	WING-3 GYSER PDB	SPARE	SPARE
OUTGOING CABLE SIZE	1No. 4C x 2.5mm ² , 1.1kV LTXLPE, CU., ARMoured CABLE	1No. 4C x 2.5mm ² , 1.1kV LTXLPE, CU., ARMoured CABLE	1No. 4C x 2.5mm ² , 1.1kV LTXLPE, CU., ARMoured CABLE	1No. 4C x 2.5mm ² , 1.1kV LTXLPE, CU., ARMoured CABLE	1No. 4C x 2.5mm ² , 1.1kV LTXLPE, CU., ARMoured CABLE	1No. 4C x 4mm ² , 1.1kV LTXLPE, CU., ARMoured CABLE	1No. 4C x 10mm ² , 1.1kV LTXLPE, AL., ARMoured CABLE	SPARE	SPARE
LOAD	3.5 KW	3.5 KW	3.5 KW	3.5 KW	3.5 KW	7.0 KW	12 KW		

- NOTES :-
- ALL INDICATING METER SHALL BE OF DIGITAL TYPE (SIZE 96X96) ACC CLASS 1.0.
 - THE CABLE ENTRY SHALL FROM TOP/BOTTOM WITH DOUBLE COMPRESSION GLAND.
 - THE PAINTING SHALL BE OF 7 TANK PROCESS AND POWDER COATING SHADE SHALL BE SIEMENS GRAY RAL7032.
 - NEUTRAL BUSBAR SHALL BE MINIMUM 50% OF PHASE BUSBAR.
 - ALL MCCB SHALL BE TP ONLY WITH NEUTRAL LINK
 - THE PANEL BASE FRAME SHALL BE OF ISMC 100 AND SHALL BE PAINTED BLACK.
 - ALL OUTGOING AND INCOMING CABLE CONNECTING MUST BE THROUGH CONNECTORS IN CABLE ALLEY ONLY.
 - SPACE HEATER SHALL BE PART OF BUSBAR COMPARTMENT.
 - ALL DATA/SIGNAL CABLING SHALL BE BROUGHT OUT IN SEPARATE MODULE.
 - THE PANELS SHALL BE "FORM 4" TYPE ONLY.
 - FOR CONTROL SUPPLY WITHIN PANEL SHALL BE BROUGHT THROUGH CONTROL TRANSFORMER WITH NECESSARY PROTECTION.
 - MAX. HEIGHT OF THE PANEL SHALL BE NOT MORE THAN 2100 MM FROM FFL.
 - EARTH BUS SHALL BE THROUGHOUT THE LENGTH OF PANEL.
 - THE SHIPPING SECTION SHALL BE MAX. 3000 MTR WIDE.
 - GLAND PLATE SHALL BE MIN. 3 MM THICK.
 - INDICATING LAMP SHALL BE OF LED TYPE.
 - SPD SHALL BE ENCAPSULATED TYPE.
 - LOUVERS FOR VENTILATION SHALL BE PROVIDED ON BOTH SIDES OF PANEL.
 - CONNECTION OF VENTILATION FAN FOR EXHAUST SHALL BE THROUGH MCCB.

PREPARED BY	BV	APPROVAL	<input type="checkbox"/> APPROVAL
CHECKED BY	JP	<input checked="" type="checkbox"/> TENDER	
APPROVED BY	JP	<input type="checkbox"/> GFC	
		<input type="checkbox"/> CONCEPT	
		<input type="checkbox"/> DETAILS	
REV NO	02/01/2019	FOR TENDER	BV JP
DATE		DESCRIPTION	DRN BY
			CHKD BY

CLIENT:	SOMANATH TRUST
PROJECT:	SAGAR DARSHAN HOTEL
DRAWING TITLE:	SINGLE LINE DIAGRAM FOR LT PANELS
ARCHITECT / CONSULTANT:	MR ALPESH PANDYA
PROJECT NO:	-
DRAWING SCALE:	N.T.S.
DRAWING NO:	00-E-SLD-00-01
REVISION NO:	R0

ELECTRICAL CONSULTANT:



JP TECHNOLOGIES

Address: 325, Kalasagar Mall
Satadhar Cross Road, Ghatloda
Ahmedabad.
Phone: (O) 079-27400325
Email: contact@jptechnosoftware.com
website: www.jptechnosoftware.com